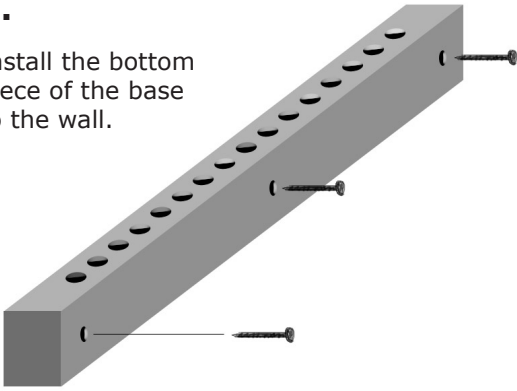


Install your Wall Browser

1.

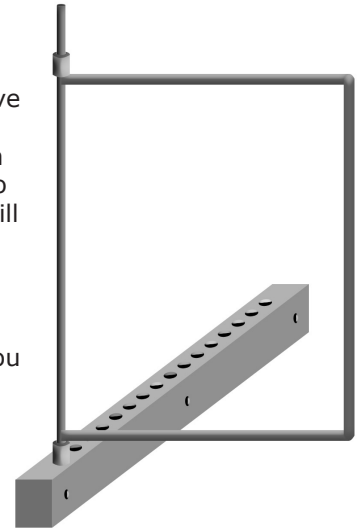
Install the bottom piece of the base to the wall.



2.

Using one of the sleeve frames, measure and mark the distance from the bottom base up to where the top base will have to be installed.

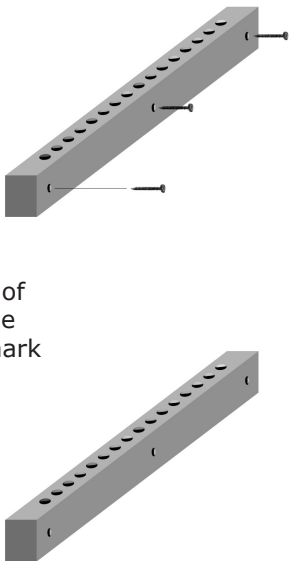
Do this on the left, middle and far right holes to make sure you will be installing the top base parallel with the bottom one.



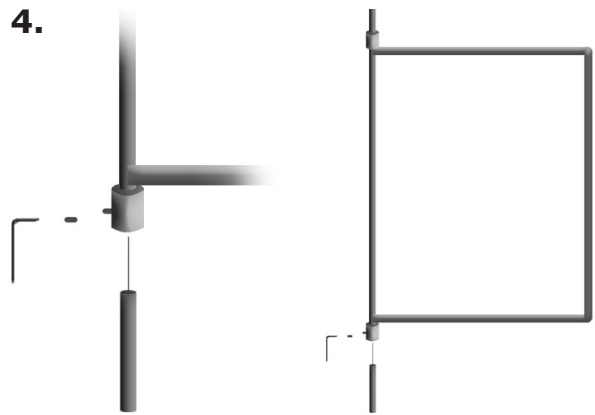
3.

Having the position of the top base, put the base in place and mark the holes.

Drill the holes and screw the base into position.

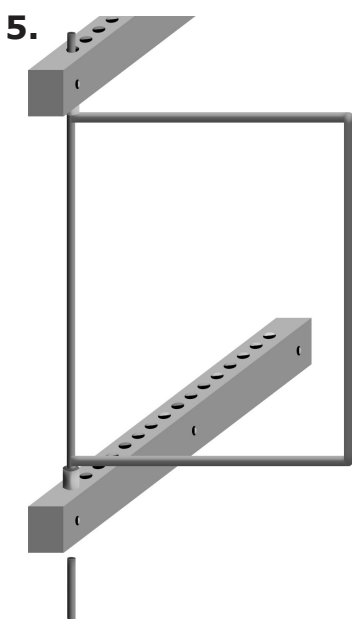


4.



Remove the bottom pin from the sleeve frames by un-screwing the bolts on the lower end of the cylinder.

5.



Place the frame inside the base and align it with the holes. Then simply push the pin up through the bottom of the base and tighten the screws

